

BOUNCE LINES MULTI™

TYPE:

SUSPENSION

PROJECT NAME:



SPECIFICATION SHEET

tossB®

A **Luminart** BRAND

WWW.TOSSBLIGHTING.COM

BOUNCE LINES MULTI™

TYPE:

SUSPENSION

PROJECT NAME:

DIMENSIONS

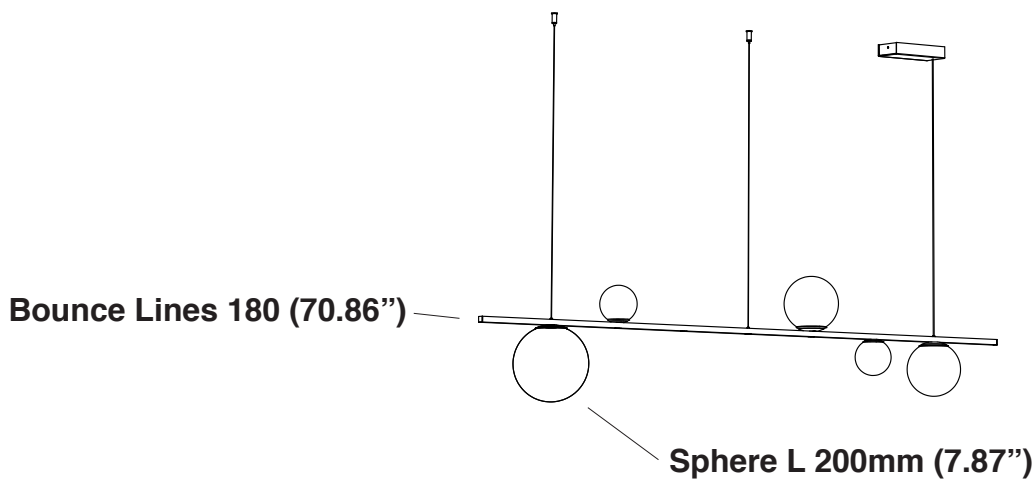
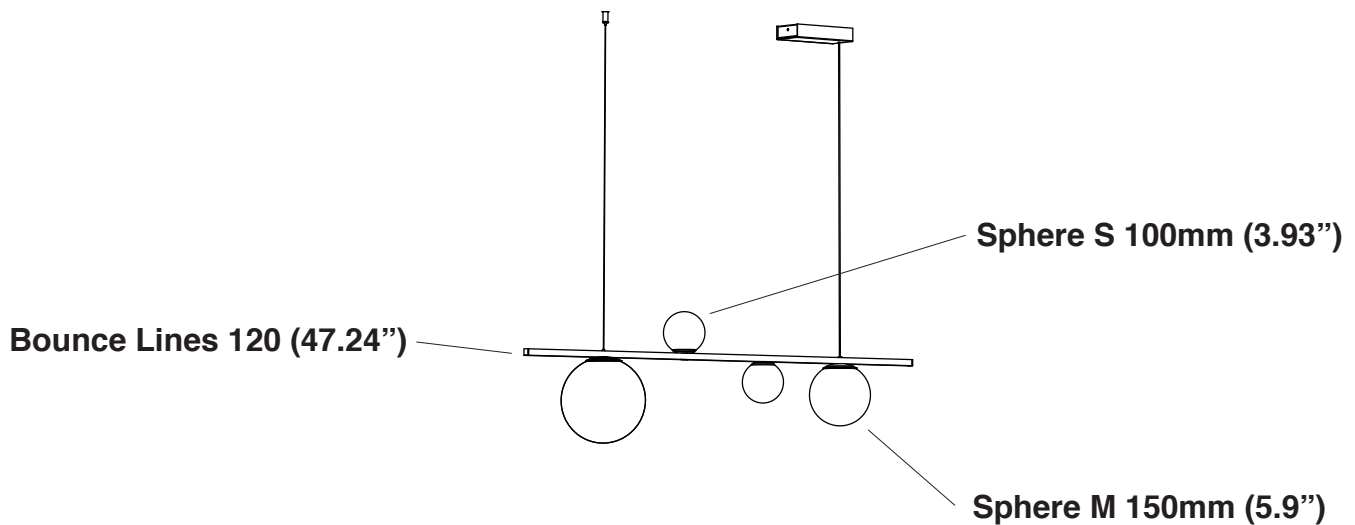
Bounce Lines is available in two structural sizes with an additional choice of three sizes of LED spheres.

Bounce Lines 120: Length of 120cm (47.24") **Sphere S:** Diameter of 100mm (3.93")

Bounce Lines 180: Length of 180cm (70.86") **Sphere M:** Diameter of 150mm (5.9")

Sphere L: Diameter of 200mm (7.87")

The height (thickness) of the Lines structure is 12mm (0.47")



SPECIFICATION SHEET

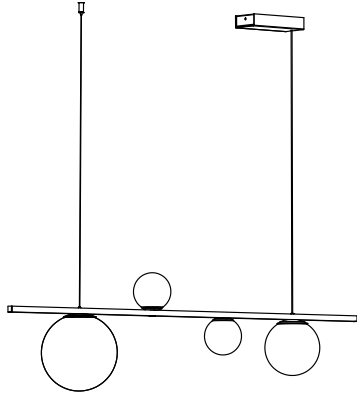
BOUNCE LINES MULTI™

SUSPENSION

TYPE:

PROJECT NAME:

BOUNCE LINES 120 -SSML-

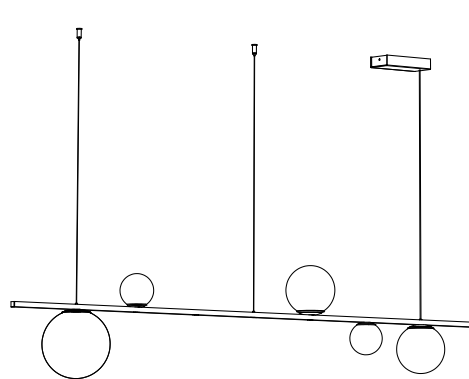


LAMP TYPE	LED
COLOUR TEMP.	2700K
WATTAGE	2W/2W/4W/10W
VOLTAGE	50.1V - 350mA

ORDER CODE

BLACK	L30T111H38DZL
BRONZE	L30T111H38DOE
BRUSHED BRASS	L30T111H38DLB
WHITE	L30T111H38DWL

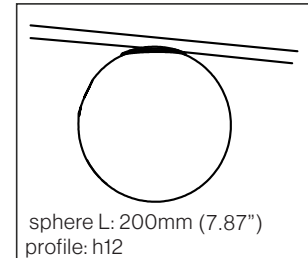
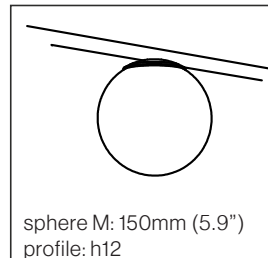
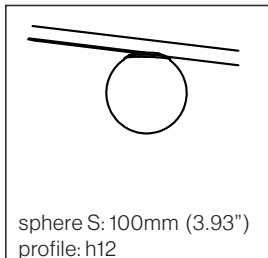
BOUNCE LINES 180 -SSMML-



LAMP TYPE	LED
COLOUR TEMP.	2700K
WATTAGE	2W/2W/4W/4W/10W
VOLTAGE	61.2V - 350mA

ORDER CODE

BLACK	L30T111H40DZL
BRONZE	L30T111H40DOE
BRUSHED BRASS	L30T111H40DLB
WHITE	L30T111H40DWL



SPECIFICATION SHEET

ORDERING INFO

Model (Order Code)	- 27 -	LED	Dimming Options
		<input type="radio"/> 27: 2700K	<input type="radio"/> 120V LTE <input type="radio"/> 120V-277V 0-10V (Universal Voltage)

