

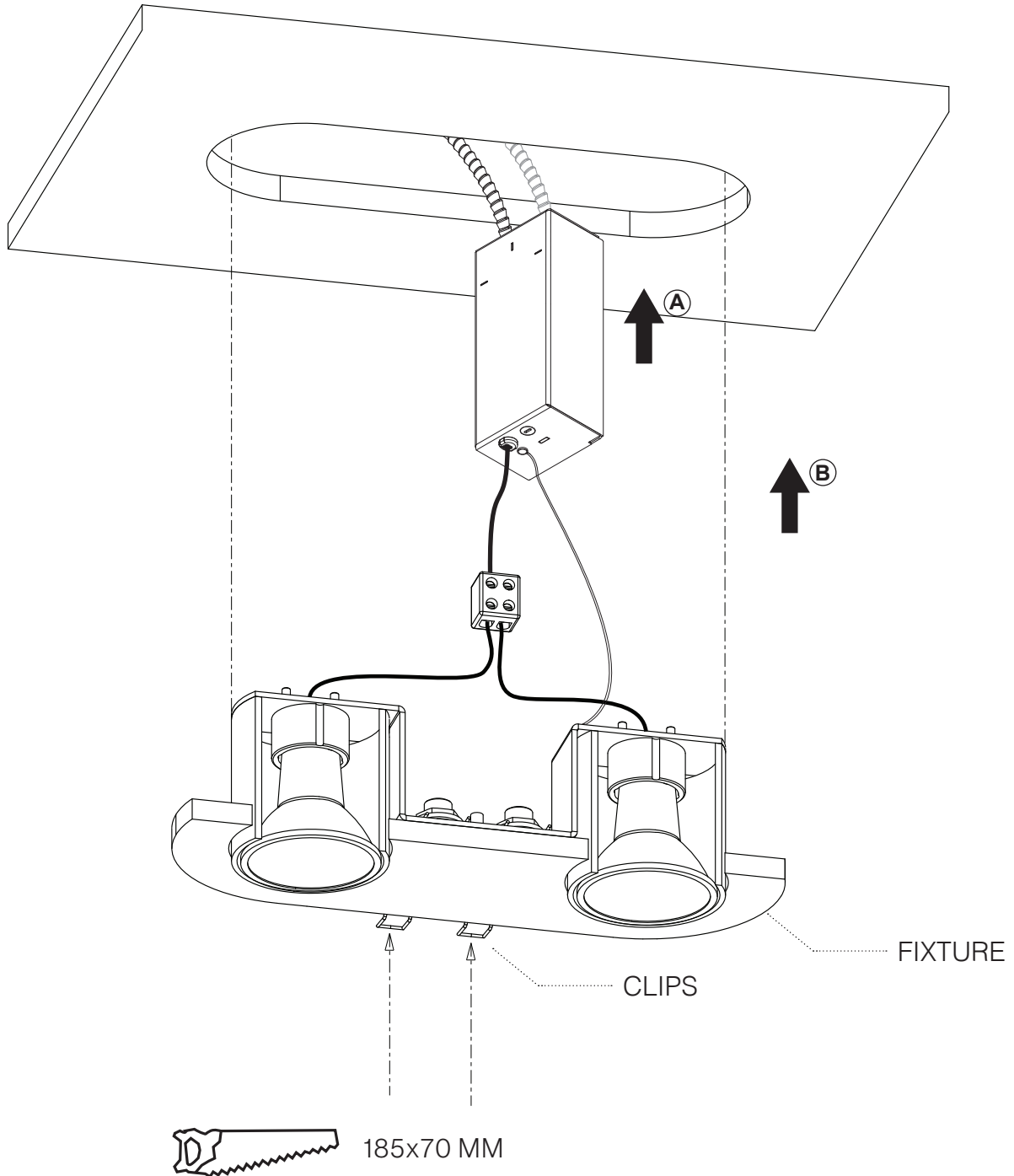
SHUFFLE™ RECESSED

INSTALLATION INSTRUCTIONS

TYPE:

PROJECT NAME:

- A- INSERT THE LED DRIVER INSIDE THE CEILING CUT-OUT
(DRIVER INSTALLATION INSTRUCTION ON NEXT PAGE).
- B- HOLD THE CLIPS UPWARD AND INSERT FIXTURE INTO CUT-OUT.



SPECIFICATION SHEET

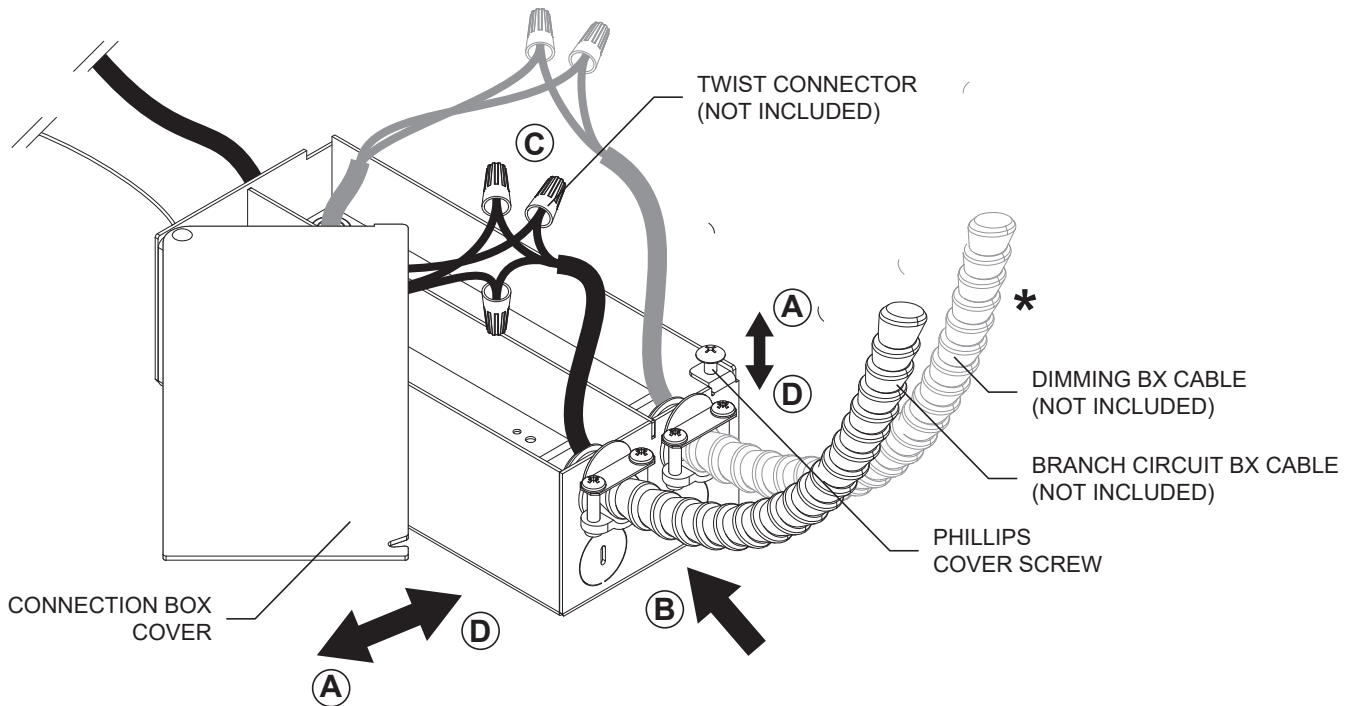
SHUFFLE™ RECESSED

INSTALLATION INSTRUCTIONS

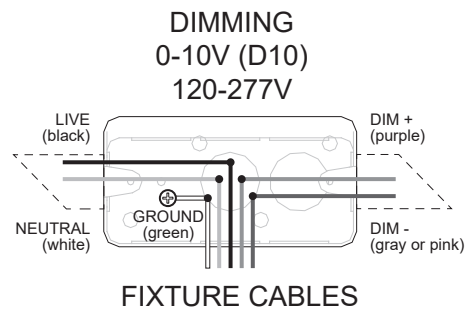
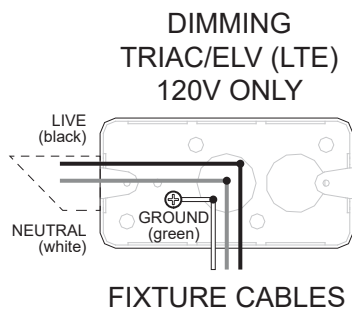
TYPE:

PROJECT NAME:

- A- LOOSEN THE PHILLIPS COVER SCREW AND OPEN THE CONNECTION BOX COVER.
- B- INSTALL BX CABLE (NOT INCLUDED) WITH 6" OF WIRE IN THE CONNECTION BOX.
* AN ADDITIONNAL BX CABLE MUST BE INSTALLED FOR DIMMING WIRING.
- C- MAKE ALL NECESSARY CONNECTIONS (SEE WIRING DIAGRAM BELOW) USING TWIST CONNECTOR (NOT INCLUDED).
- D- CLOSE THE CONNECTION BOX COVER AND FASTEN THE COVER SCREW.



WIRING DIAGRAM



SPECIFICATION SHEET