

VICTOR FB

CEILING/WALL

TYPE:

PROJECT NAME:



SPECIFICATION SHEET

VICTOR FB

tossB[®]

A **Luminart** BRAND

WWW.TOSSBLIGHTING.COM

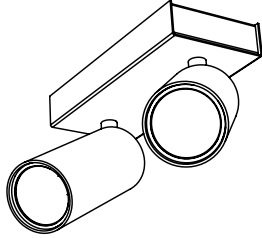
VICTOR FB

CEILING/WALL

TYPE:

PROJECT NAME:

VICTOR GU10 FB2

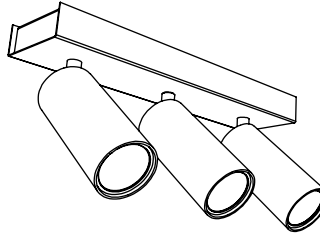


| | |
|-----------|--------------|
| LAMP TYPE | RETROFIT LED |
| FITTING | GU10 |
| WATTAGE | 2x10W |
| VOLTAGE | 120V |
| CLASS | 1 |

ORDER CODE

| | |
|---------------|---------------|
| BLACK | L30T104S82HZL |
| BRONZE | L30T104S82HOE |
| BRUSHED BRASS | L30T104S82HLB |
| WHITE | L30T104S82HWL |

VICTOR GU10 FB3

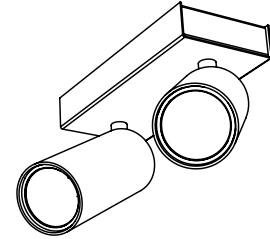


| | |
|-----------|--------------|
| LAMP TYPE | RETROFIT LED |
| FITTING | GU10 |
| WATTAGE | 3x10W |
| VOLTAGE | 120V |
| CLASS | 1 |

ORDER CODE

| | |
|---------------|---------------|
| BLACK | L30T104S83HZL |
| BRONZE | L30T104S83HOE |
| BRUSHED BRASS | L30T104S83HLB |
| WHITE | L30T104S83HWL |

VICTOR LED FB2

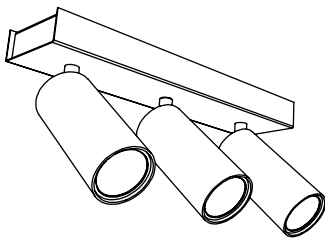


| | |
|--------------|------------------|
| LAMP TYPE | LED |
| COLOUR TEMP. | 2700K |
| WATTAGE | 2x6W |
| VOLTAGE | 120V |
| LUMEN | 2x740 |
| DRIVER | INCLUDED (TRIAC) |
| CLASS | 1 |

ORDER CODE

| | |
|---------------|---------------|
| BLACK | L30T104S82DZL |
| BRONZE | L30T104S82DOE |
| BRUSHED BRASS | L30T104S82DLB |
| WHITE | L30T104S82DWL |

VICTOR LED FB3



| | |
|--------------|------------------|
| LAMP TYPE | LED |
| COLOUR TEMP. | 2700K |
| WATTAGE | 3x6W |
| VOLTAGE | 120V |
| LUMEN | 3x740 |
| DRIVER | INCLUDED (TRIAC) |
| CLASS | 1 |

ORDER CODE

| | |
|---------------|---------------|
| BLACK | L30T104S83DZL |
| BRONZE | L30T104S83DOE |
| BRUSHED BRASS | L30T104S83DLB |
| WHITE | L30T104S83DWL |

SPECIFICATION SHEET

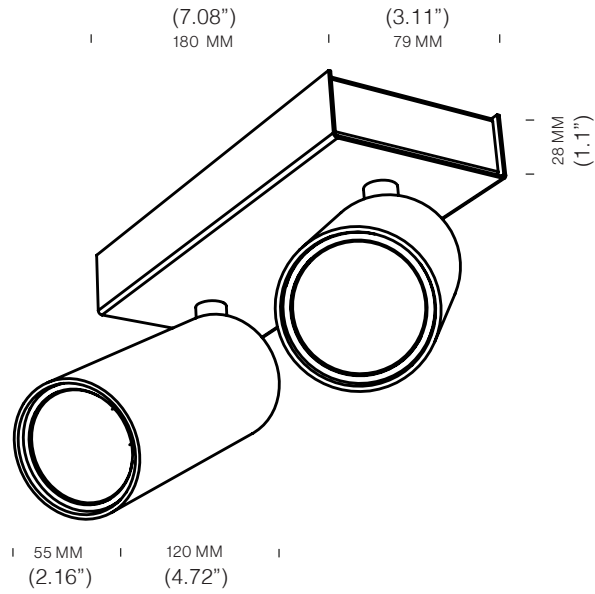
VICTOR FB

CEILING/WALL

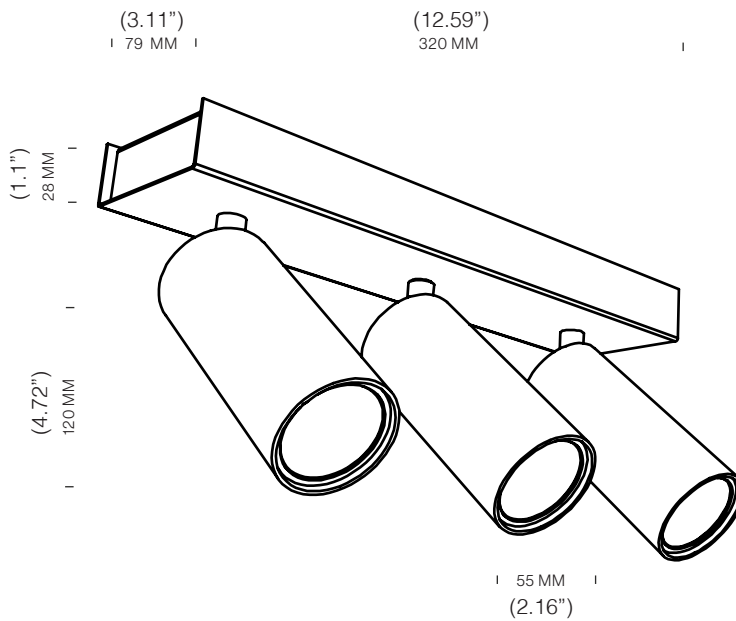
TYPE:

PROJECT NAME:

VICTOR FB2



VICTOR FB3



SPECIFICATION SHEET