

DICE

SUSPENSION

TYPE:

PROJECT NAME:



SPECIFICATION SHEET

DICE SUSPENSION

DESIGNED BY BART VAN HOUCKE

tossB[®]

A **Luminart** BRAND

WWW.TOSSBLIGHTING.COM

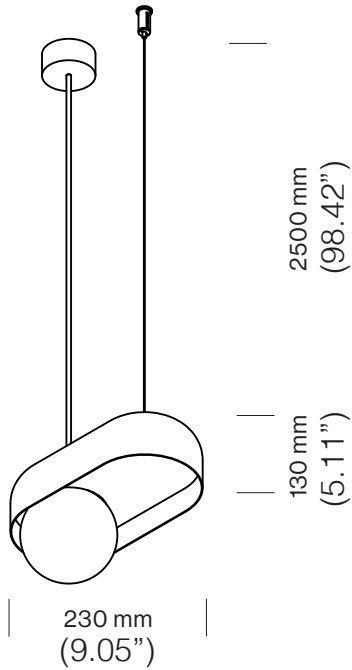
DICE

SUSPENSION

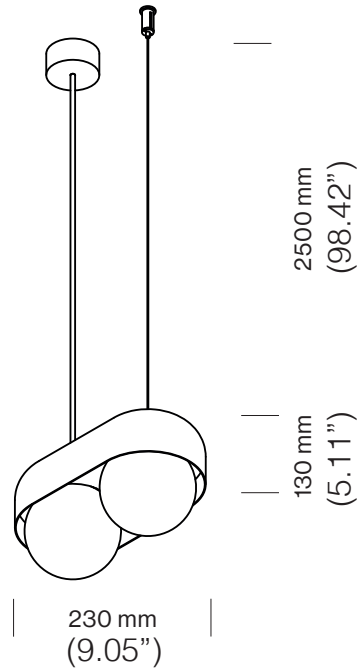
TYPE:

PROJECT NAME:

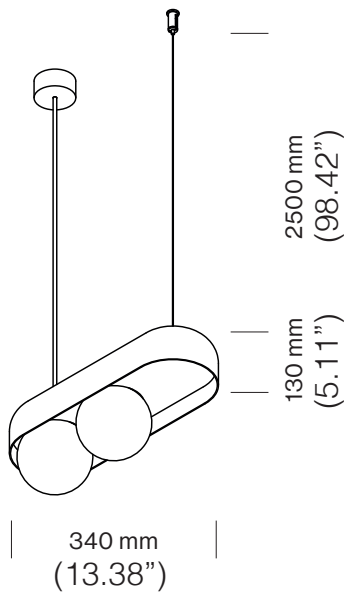
DICE G9 SUSPENSION S-1



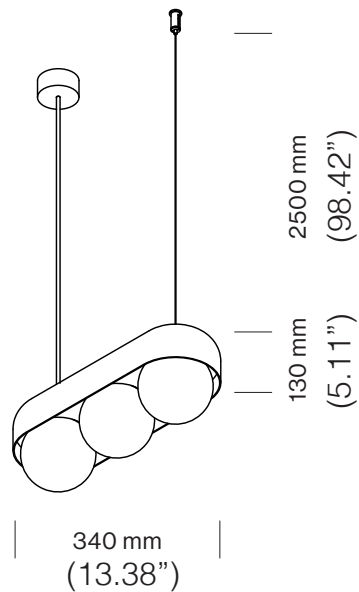
DICE G9 SUSPENSION S-2



DICE G9 SUSPENSION M-2



DICE G9 SUSPENSION M-3



SPECIFICATION SHEET

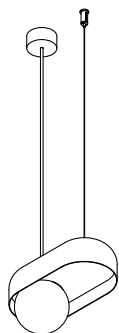
DICE

SUSPENSION

TYPE:

PROJECT NAME:

DICE G9 SUSPENSION S-1

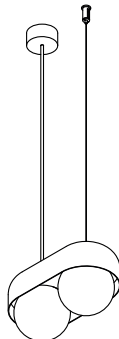


| | |
|--------------|---------------------|
| LAMP TYPE | G9 LED (DIM TRIAC) |
| COLOUR TEMP. | 2700K, 3000K, 4000K |
| WATTAGE | 5W |
| VOLTAGE | 120V |
| LUMEN | 800 |
| CLASS | 1 |

ORDER CODE

| | |
|----------|--------------|
| WHITE | L30T105H1HWL |
| BLACK | L30T105H1HZL |
| GUNMETAL | L30T105H1HGM |

DICE G9 SUSPENSION S-2

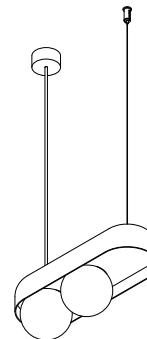


| | |
|--------------|---------------------|
| LAMP TYPE | G9 LED (DIM TRIAC) |
| COLOUR TEMP. | 2700K, 3000K, 4000K |
| WATTAGE | 2x5W |
| VOLTAGE | 120V |
| LUMEN | 2x800 |
| CLASS | 1 |

ORDER CODE

| | |
|----------|--------------|
| WHITE | L30T105H2HWL |
| BLACK | L30T105H2HZL |
| GUNMETAL | L30T105H2HGM |

DICE G9 SUSPENSION M-2

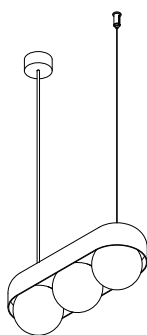


| | |
|--------------|---------------------|
| LAMP TYPE | G9 LED (DIM TRIAC) |
| COLOUR TEMP. | 2700K, 3000K, 4000K |
| WATTAGE | 2x5W |
| VOLTAGE | 120V |
| LUMEN | 2x800 |
| CLASS | 1 |

ORDER CODE

| | |
|----------|--------------|
| WHITE | L30T105H3HWL |
| BLACK | L30T105H3HZL |
| GUNMETAL | L30T105H3HGM |

DICE G9 SUSPENSION M-3



| | |
|--------------|---------------------|
| LAMP TYPE | G9 LED (DIM TRIAC) |
| COLOUR TEMP. | 2700K, 3000K, 4000K |
| WATTAGE | 3x5W |
| VOLTAGE | 120V |
| LUMEN | 3x800 |
| CLASS | 1 |

ORDER CODE

| | |
|----------|--------------|
| WHITE | L30T105H4HWL |
| BLACK | L30T105H4HZL |
| GUNMETAL | L30T105H4HGM |

SPECIFICATION SHEET

ORDERING INFO

| | | |
|--------------------|---|--|
| Model (Order Code) | LED | Driver Options |
| | <input type="radio"/> 2700K <input type="radio"/> 3000K <input type="radio"/> 4000K | <input type="radio"/> 120V Phase Dimming |

